



Half Round Gutters

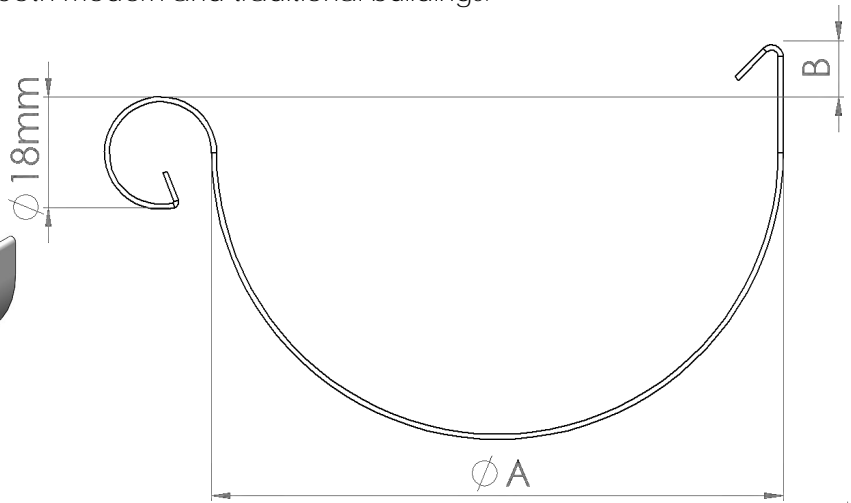
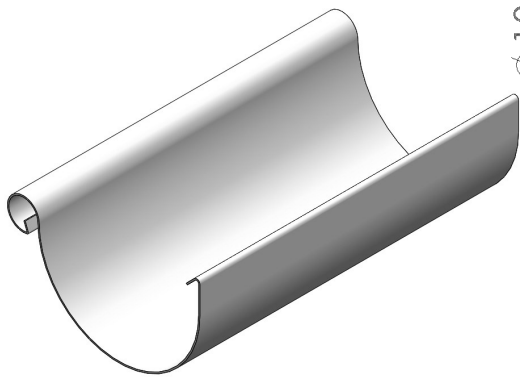
Gutters, Brackets &
Accessories

Half Round Gutters

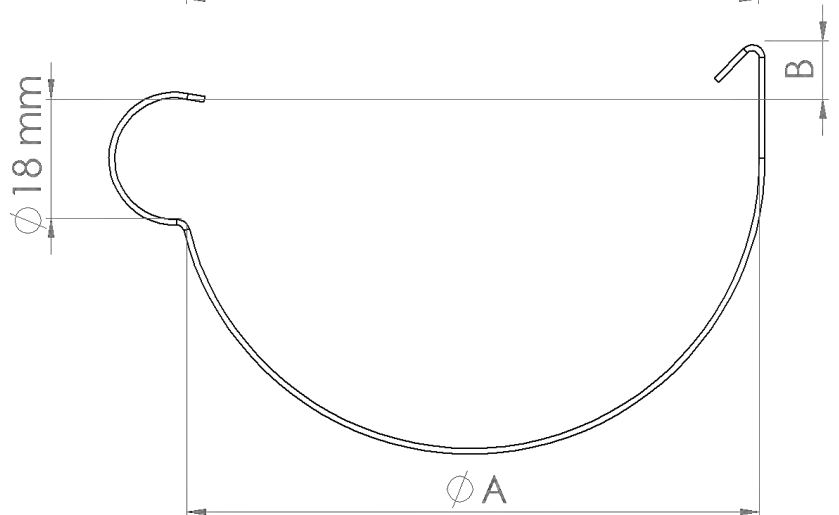
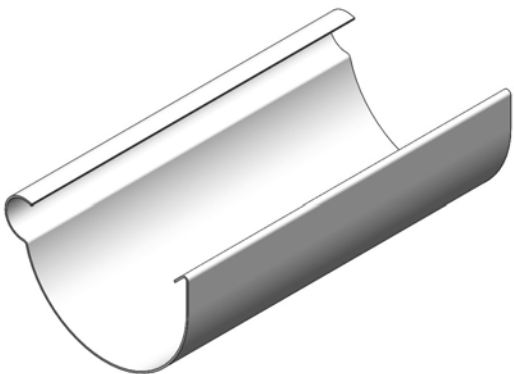
Half Round Gutters are the most functional and practical gutters available. Designed with a rounded profile, the Half Round Gutters not only possess excellent water flow capacity, but are also self cleaning during rainfalls.

Available in a wide range of sizes and finishes, our Half Round Gutters are suitable for both residential and industrial applications, complementing both modern and traditional buildings.

European Bead



Standard Bead



Specifications

Diameter	A	B	Litres/m	Diameter	A	B	Litres/m
125mm	127mm	10mm	6.3	300mm	300mm	15mm	35.3
150mm	153mm	10mm	9.2	350mm	350mm	15mm	48.1
200mm	192mm	12mm	14.5	400mm	400mm	15mm	62.8
250mm	239mm	15mm	24.5				

Details

Half Round Gutters are available in lengths from 1.5m to 6m.

KFC Half Round Gutters utilise a low front profile to optimise overflow. Hence, overflow slots are unavailable.

Half Round Gutter Profiles from 125mm -200mm are typically suited to residential applications, whereas high capacity profiles of up to 400mm are often deployed in industrial settings.

We produce Half Round Gutters in two formats, the Standard Bead and the European Bead. Compared to the Standard Bead, the European Bead has a considerable range of advantages:

- ✓ Full rounded edges have increased tensile strength
- ✓ Sharp edges are hidden away, making Half Round Gutters stronger and safer to handle
- ✓ Clip-On Outlets are incredibly easy to install — simply lock them into place, no rivets needed!
- ✓ Pressed corners mitigate the risk of water stagnating in corners

Materials & Finishes

Material *	Gauge	Bead
COLORBOND® STEEL	0.55mm	Standard
COLORBOND® ULTRA	0.55mm	Standard
Galvanized Steel	0.55mm	European
Stainless Steel - 304 and 316 grades	0.55mm	European
PREFA® Aluminium (Double Sided)	0.70mm	European
Rheinzink Titanium Zinc	0.70mm	European
ZINCALUME® Steel	0.55mm	European
Copper	0.55mm	European

* Refer to metals compatibility chart prior to selection.

Brackets

KFC Roofing supplies brackets in several different styles, sizes and materials suited to different use cases. Brackets can be powder coated to all COLORBOND® and PREFEA® aluminium colours.

Brackets are available in A1 (Residential Facia), A2 (Residential Rafter), A4 (Industrial Facia, Pitched). See sizing table to match with your choice of Half Round Gutter.

For A4 Brackets, refer to the A4 Bracket Order Form to specify pitch, offset and back plate measurements. Recommended bracket spacing is 1m.

A1 Brackets

SAP CODE: HRG***BA1***

Gutter Size	Match with A1 Bracket
100mm	Galvanized, Copper
125mm	Galvanized, Copper
150mm	Galvanized, Copper, Aluminium, Zinalume®, Stainless Steel 304, Stainless Steel 316
200mm	Galvanized, Copper

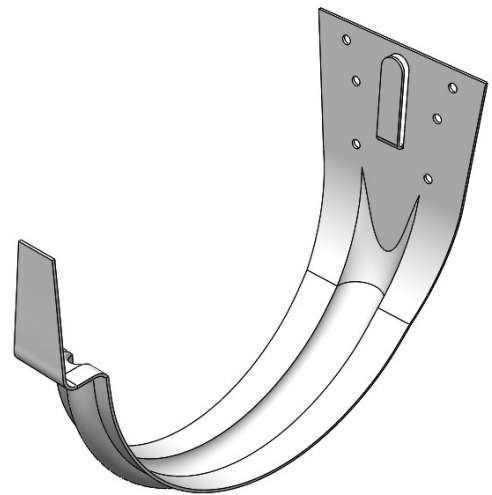
Colorbond® — Powdercoated
Galvanized or Aluminium to colour match

Colorbond® ULTRA — Powdercoated
Aluminium to colour match (150mm ONLY)

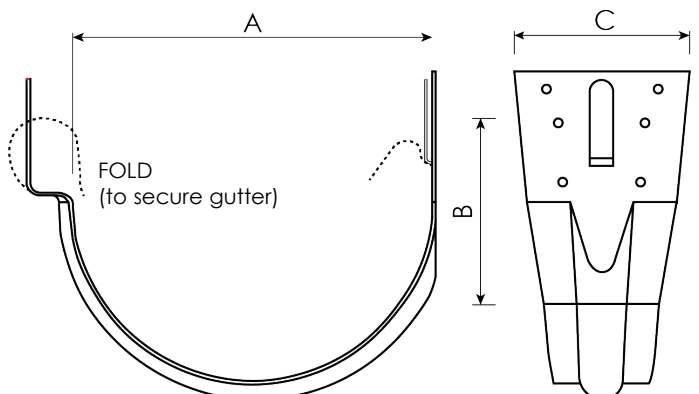
Prefa® Aluminium — Powdercoated
Aluminium to colour match (150mm ONLY)

Rheinzink Blue Grey — Powdercoated
Aluminium to Windspray for colour match (150mm ONLY)

Brackets spacings: 1000mm

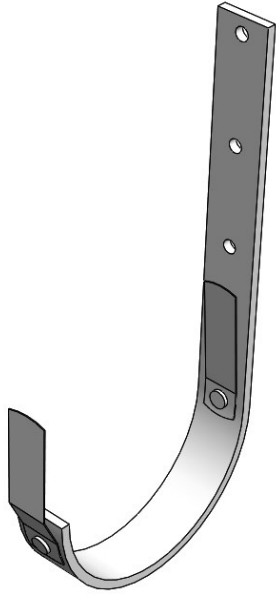


Diameter	A	B	C
125mm	127mm	65mm	80mm
150mm	152mm	75mm	80mm
200mm	192mm	100mm	100mm



A2 Brackets

SAP CODE: HRG***BA2***



Gutter Size	Match with A2 Bracket
125mm	Galvanized, Stainless Steel 304
150mm	Galvanized, Copper, Aluminium, Stainless Steel 304, Rheinzink Blue Grey
200mm	Galvanized, Copper, Aluminium, Stainless Steel 304

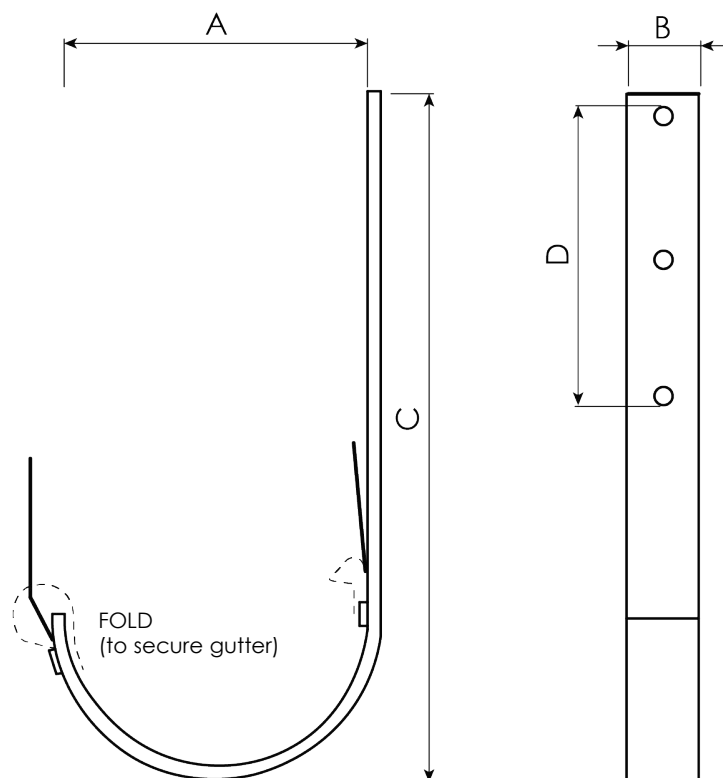
Colorbond® — Powdercoated Galvanized to colour match

Colorbond® ULTRA — Powdercoated Aluminium to colour match (150mm and 200mm ONLY)

Prefa® Aluminium — Powdercoated Aluminium to colour match (150mm and 200mm ONLY)

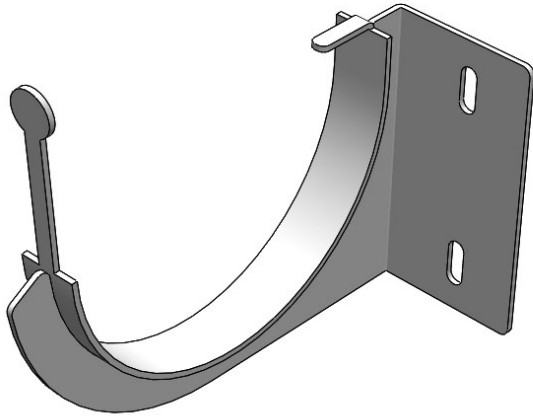
Brackets spacings: 1000mm

Diameter	A	B	C	D
125mm	127mm	29mm	280mm	145mm
150mm	153mm	29mm	375mm	145mm
200mm	192mm	29mm	430mm	145mm



A4 Brackets

SAP CODE: HRG***BA4***

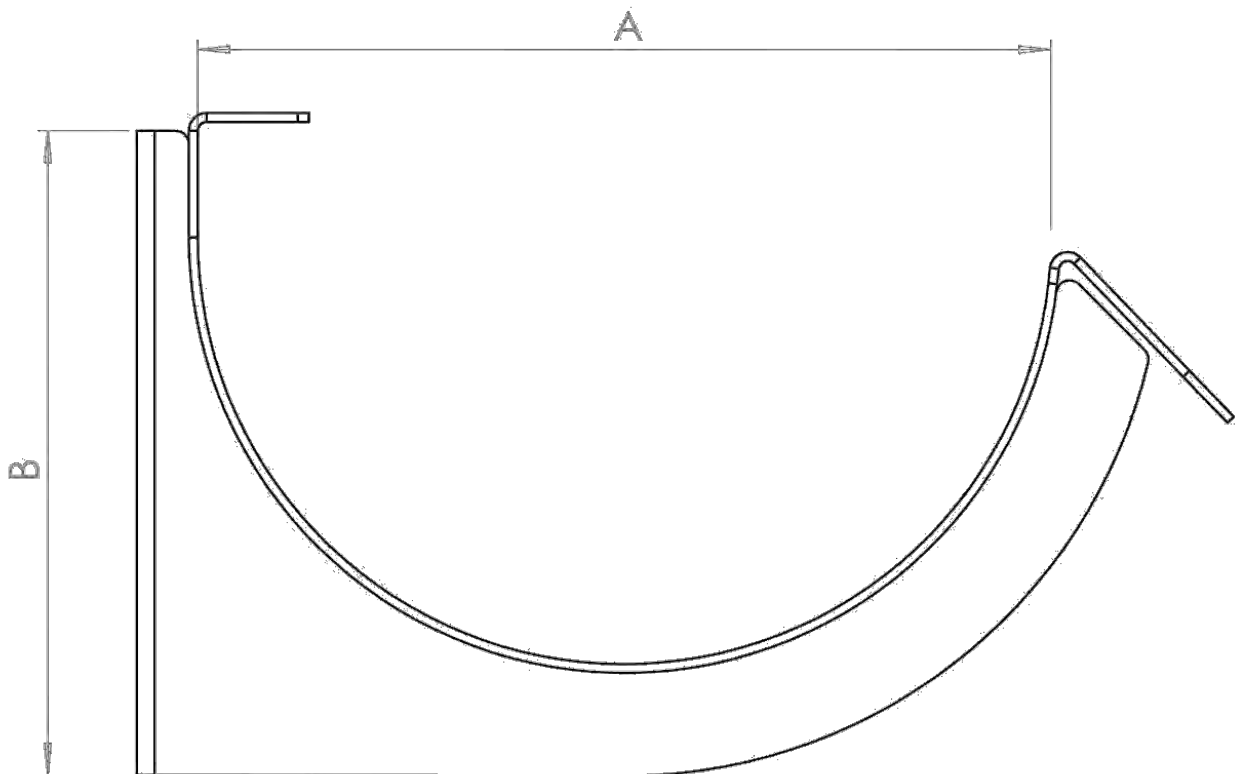


Gutter Size	Match with A4 Bracket
125mm	Aluminium
150mm	Aluminium, Stainless Steel 304, Stainless Steel 316, Galvanized
200mm	Aluminium, Stainless Steel 304, Stainless Steel 316, Galvanized
250mm	Aluminium, Stainless Steel 304, Stainless Steel 316, Galvanized
300mm	Aluminium, Galvanized
350mm	Aluminium, Galvanized

Diameter	A	B	Gauge
125mm	126mm	98mm	2mm
150mm	145mm	122mm	2mm
200mm	192mm	145mm	2mm
250mm	250mm	150mm	2mm Steel, 3mm Alu
300mm	300mm	195mm	3mm
350mm	350mm	217mm	3mm

The KFC A4 Bracket Order Form allows you to customise the bracket pitch, stand off distance as well as back plate height and can be accessed

Brackets spacings: 1000mm



Accessories

KFC Roofing supplies a full range of accessories including Clip-On outlets, nozzles, corners and stop end plates. Accessories powder coated to suit all COLORBOND® and PREFAB® colours. Please enquire for material availability in specific accessories/sizes and custom orders.

Materials

Refer to metals compatibility chart prior to selection. Contact us to discuss accessory availability in specific material and size combinations.

- ZINCALUME® steel
- Aluminium (Powder coated to COLORBOND® and COLORBOND® ULTRA colours)
- Galvanised Steel (Powder coated to COLORBOND® Colours)
- Aluminium
- Rheinzink Titanium Zinc
- Copper

Corners

SAP CODE: HRG***EPC/IPC**

Pressed corners available to suit Half Round Gutter Profile 100mm, 125mm, 150mm & 200mms. Custom manufactured corners available for all sizes.

Nozzles

SAP CODE: HRG***NO*****

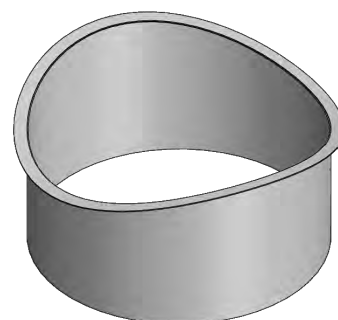
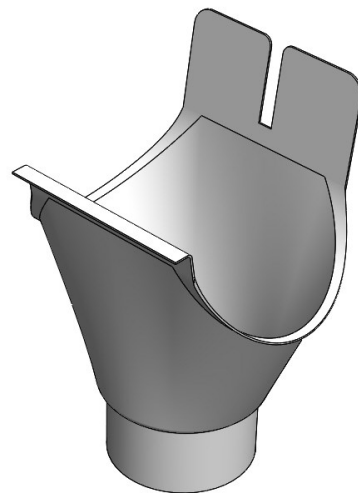
Available to suit Half Round Gutter Profile 100mm, 125mm, 150mm, 200mm, 250mm, 300mm & 350mms with outlet dimensions 80mm, 90mm, 100mm, 120mm & 150mms.

Clip-On Outlets

SAP CODE: HRG***CO*****

Clip-On Outlets provide up to 33% more water flow and are largely self cleaning. The use of Clip-On Outlets significantly reduces installation time, particularly when paired with European Bead Half Round Gutter. Furthermore, when combined with European Bead, no rivets are required and no scalloping of the downpipe is required.

Available to suit Half Round Gutter Profile in 125mm, 150mm, 200mm & 250mms with outlet dimensions 80mm, 90mm, 100mm, 120mm & 150mms. Custom manufactured Clip-On Outlets available for all sizes.

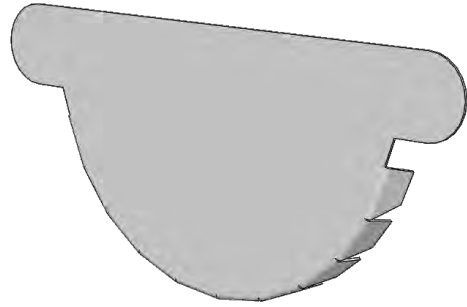


Accessories

Stop End Plates

SAP CODE: HRG***SE***

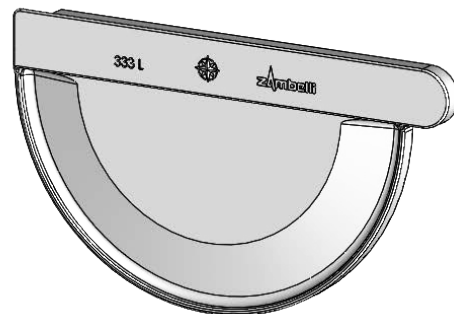
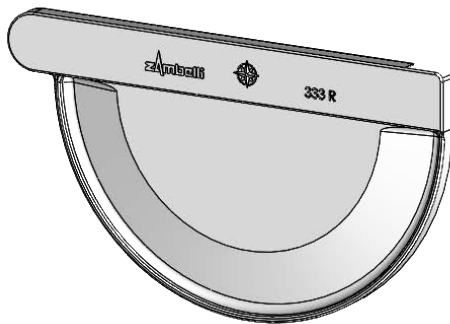
Stop end plates available to suit Half Round
Gutter Profiles - 125mm, 250mm and 300mm.



New Style Stop End Plates - Zambelli

SAP CODE: HRG**SE***

Stop end plates available to suit Half Round Gutter
Profiles - 150mm and 200mm.



Contact & Ordering

Contact

Our expert team can consult with you on any questions regarding our product lines.

Address: 8 Mansfield Street Rozelle, NSW 2039

Phone: (02) 9810 0915

Fax: (02) 9555 8909

Email: sales@kfcroofing.com.au

Training

KFC Roofing offers training workshops to ensure you gain the maximum benefit from your products.

Our Product Range

KFC Roofing Supplies stocks a complete range of roofing supplies for all projects and applications.

Browse our lines of downpipes to match your gutters [here](#), or view our complete range of roofing tools [here](#).

Contact us to discuss all range items, or come into our conveniently located Rozelle showroom.

Ordering

To order, please contact sales and submit an order form.

